

INVOICE TO CITY OF NAPOLEON

Curbing and/or Sidewalk replacement

Location of project 318 W. Maurice Napoleon OH.

Owner of Property Greg A. Leupp 318 W. Maurice
address

City Napoleon Zip 43545 Phone 419-599-0872

Type of work performed: Curbing replacement Sidewalk replacement

Total length of curbing replaced 46' x \$20.00 ----- \$ 920.00

Total square footage of sidewalk replaced 367 x \$1.50 ----- \$ 540.00

Total to be reimbursed to the owner ----- \$ 1460.00

The City may reimburse the owner for sidewalk replacement in the right of way at a rate of one dollar and fifty cents (\$1.50) per square foot, if installed in accordance to City specification. The City will reimburse the owner for curbing replacement in the right of way at a rate of twenty dollars (\$20.00) per linear foot, if installed in accordance to City specification.

Name of City registered contractor who performed such work; (If none involved mark "Self")

M. R. Hancock + Sons City Lic.# _____

[Signature] Signature of property owner Date 12-12-03

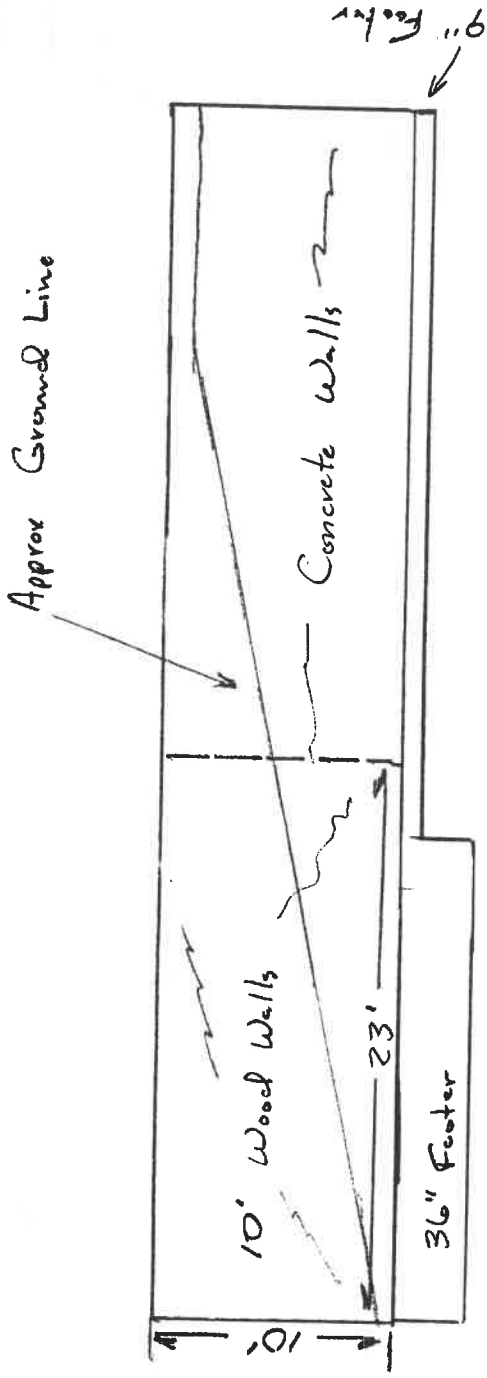
The work referenced herein has been performed in accordance with the City of Napoleon minimum requirements and therefore is eligible for reimbursement accordingly.

[Signature] City Engineer Date 2-13-04

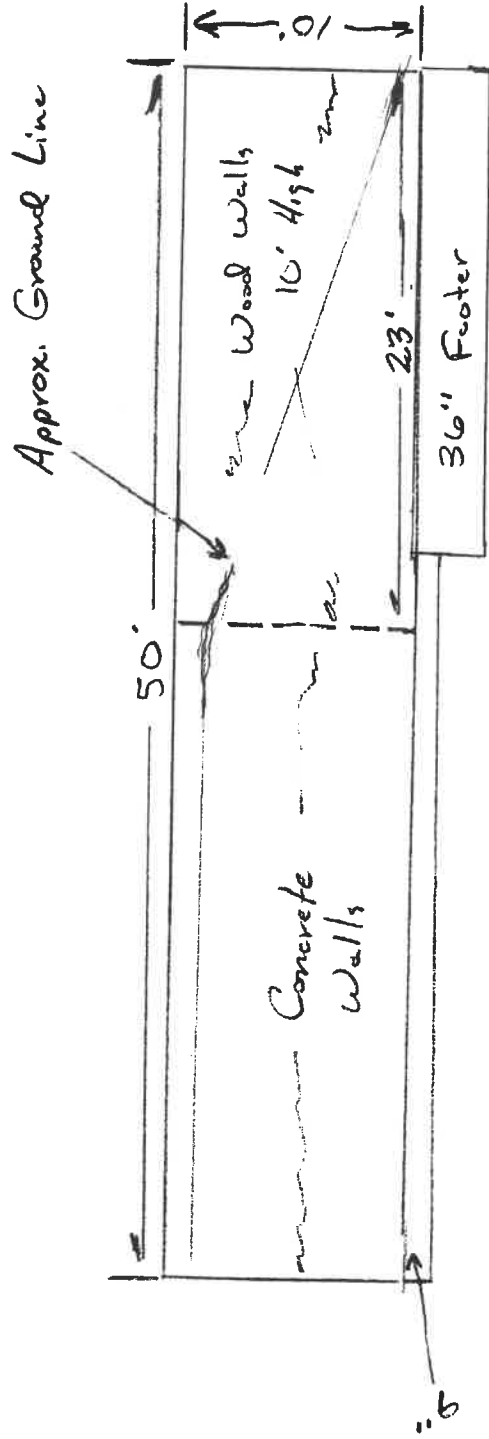
City Purchase order number RG 040195

City Permit number 1598

Wood walls will be 2x8x10' 12" o/c w/ 3/4" plywood, glued and screwed w/ stainless screws - All lumber will be treated and designed for basement use



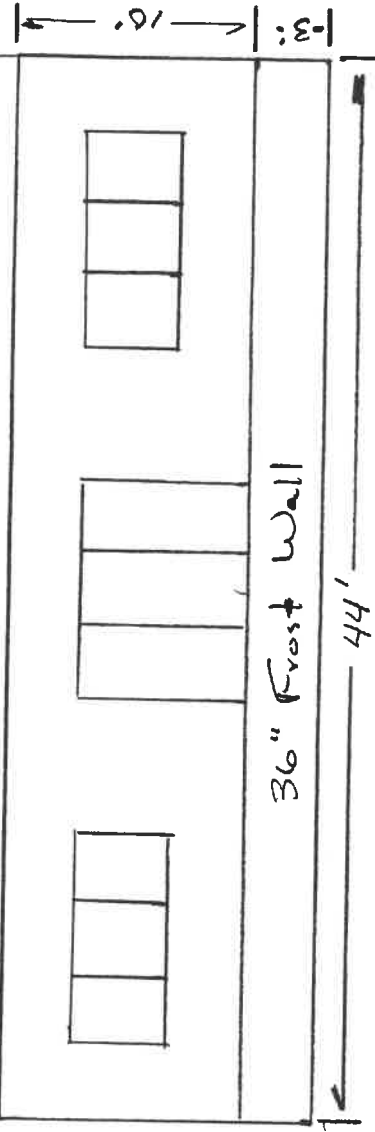
West Elevation



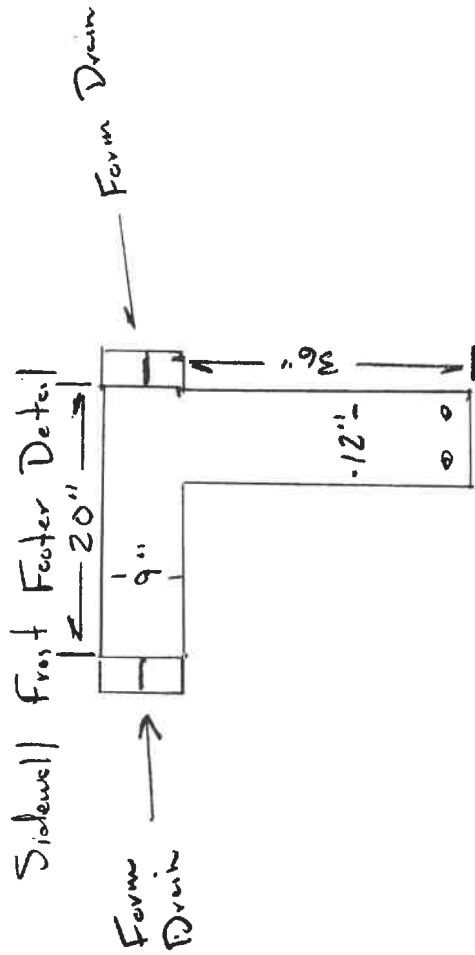
East Elevation

Main House Above

1/2 Basement bath
Bar sink



North Elevation - Walk out basement



North Elevation
Frost Wall Detail

